

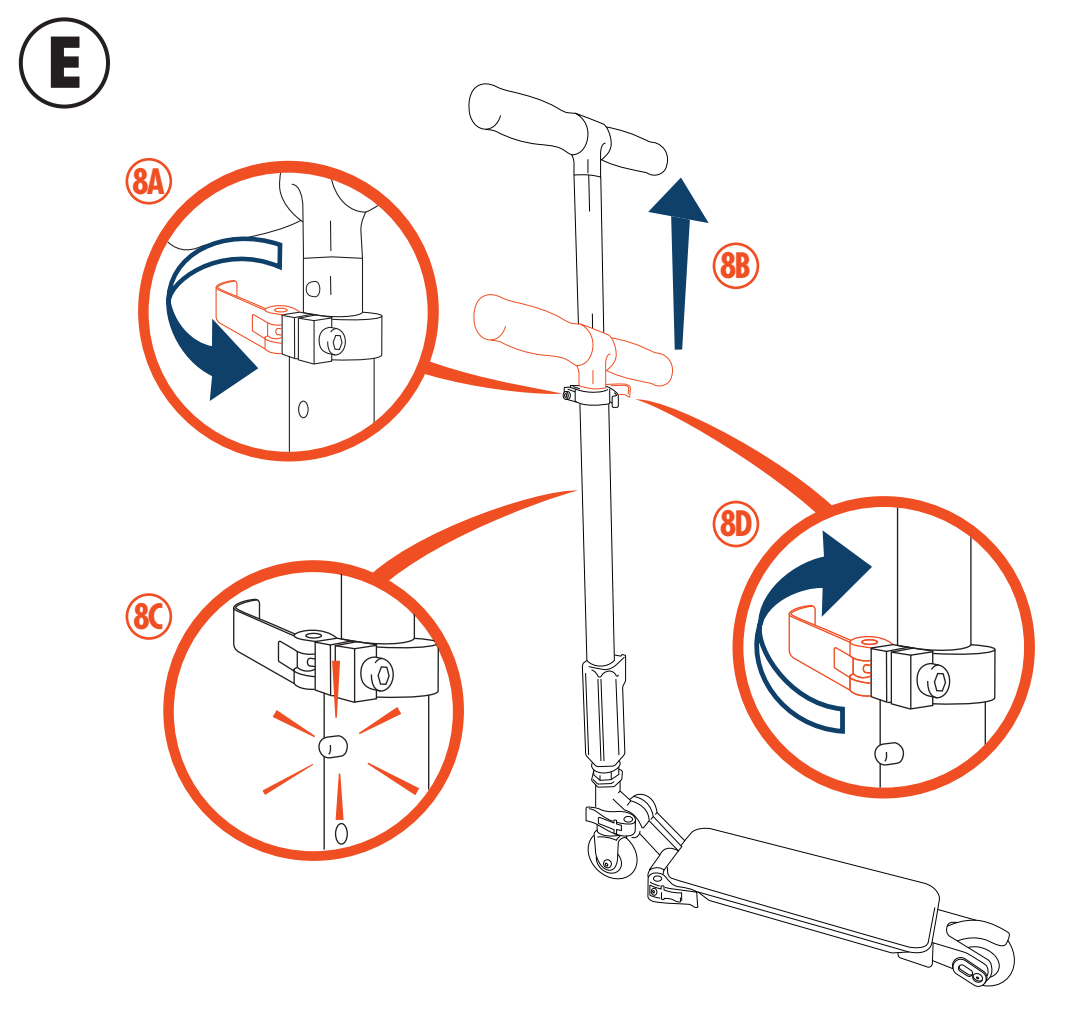
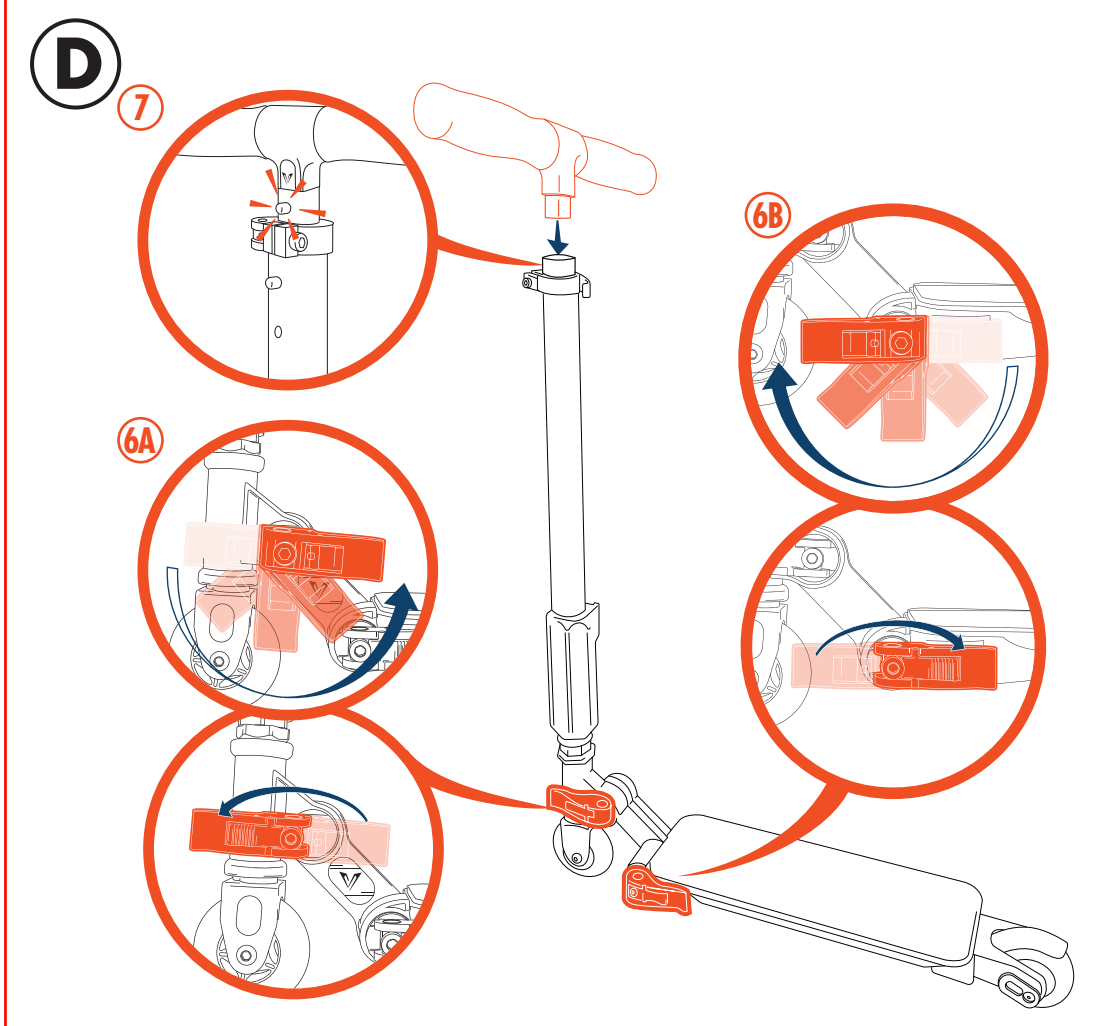
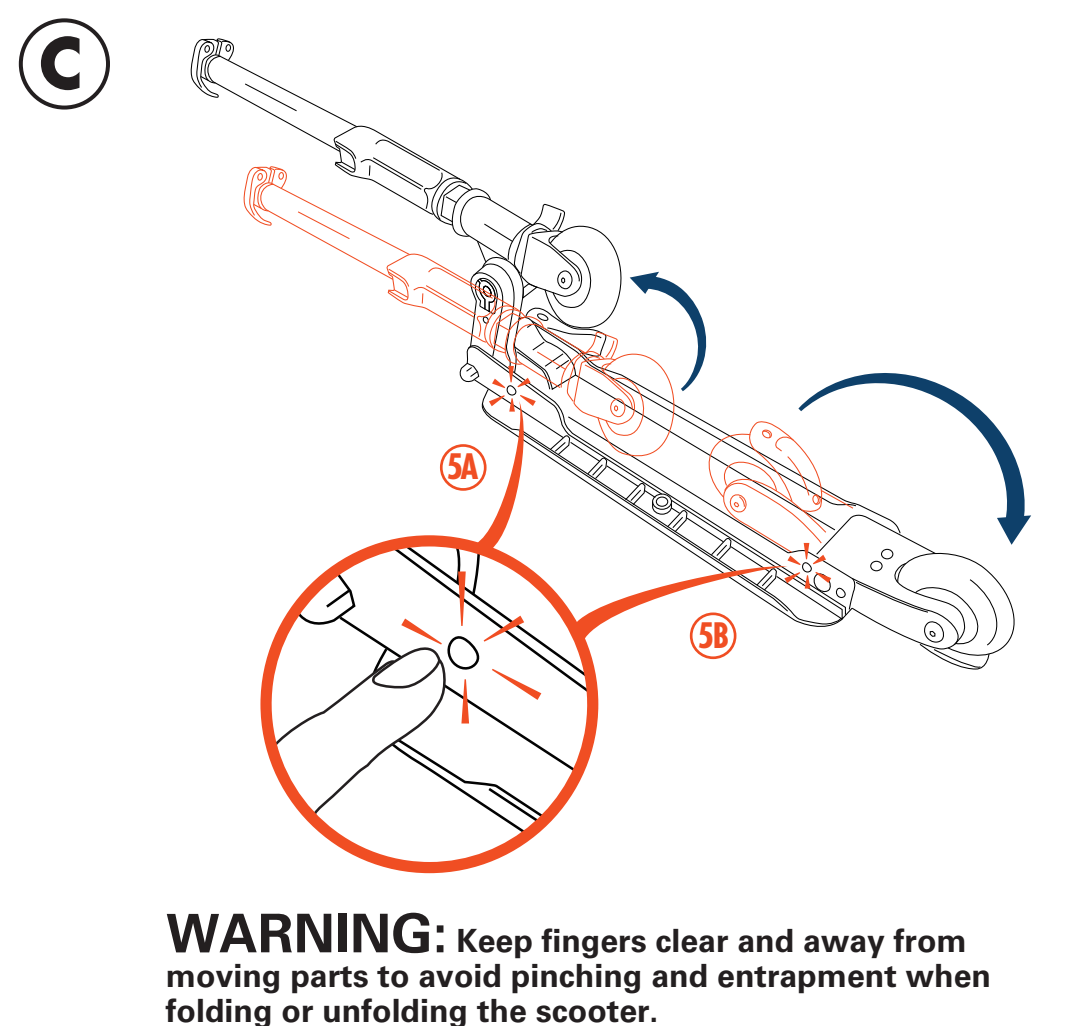
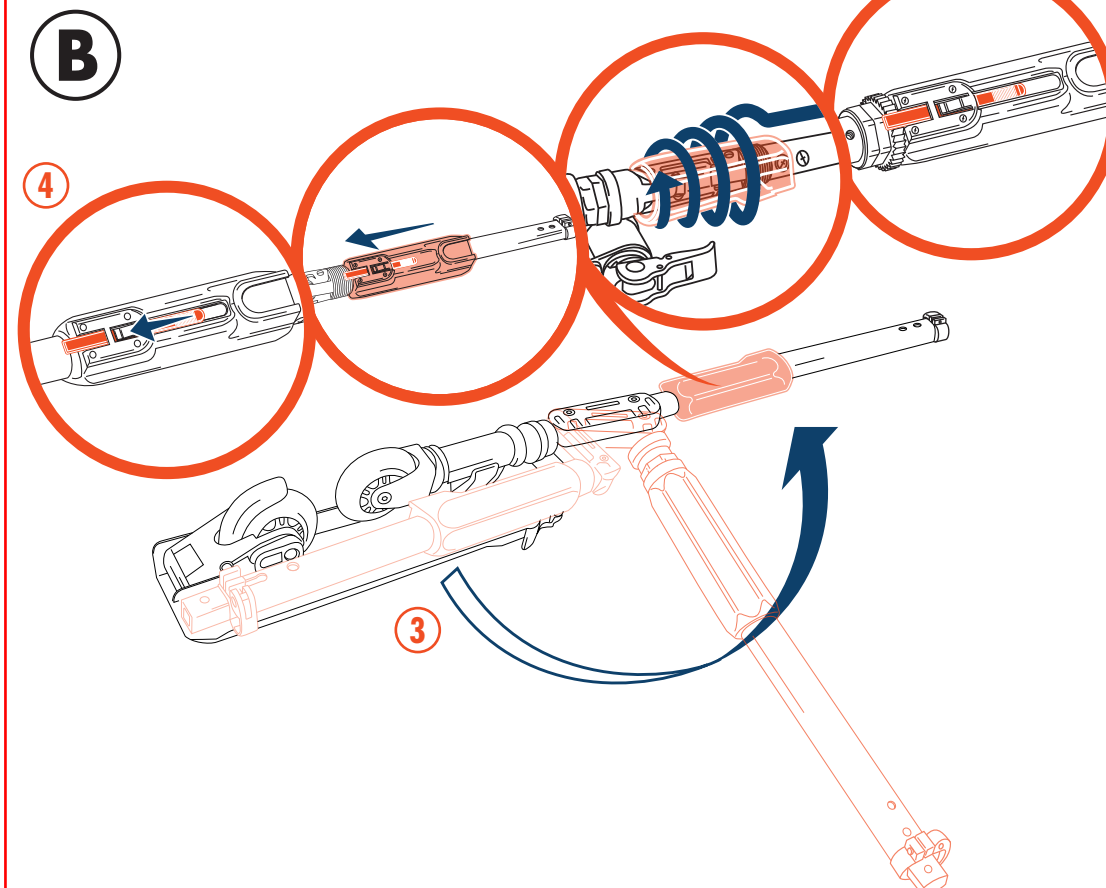
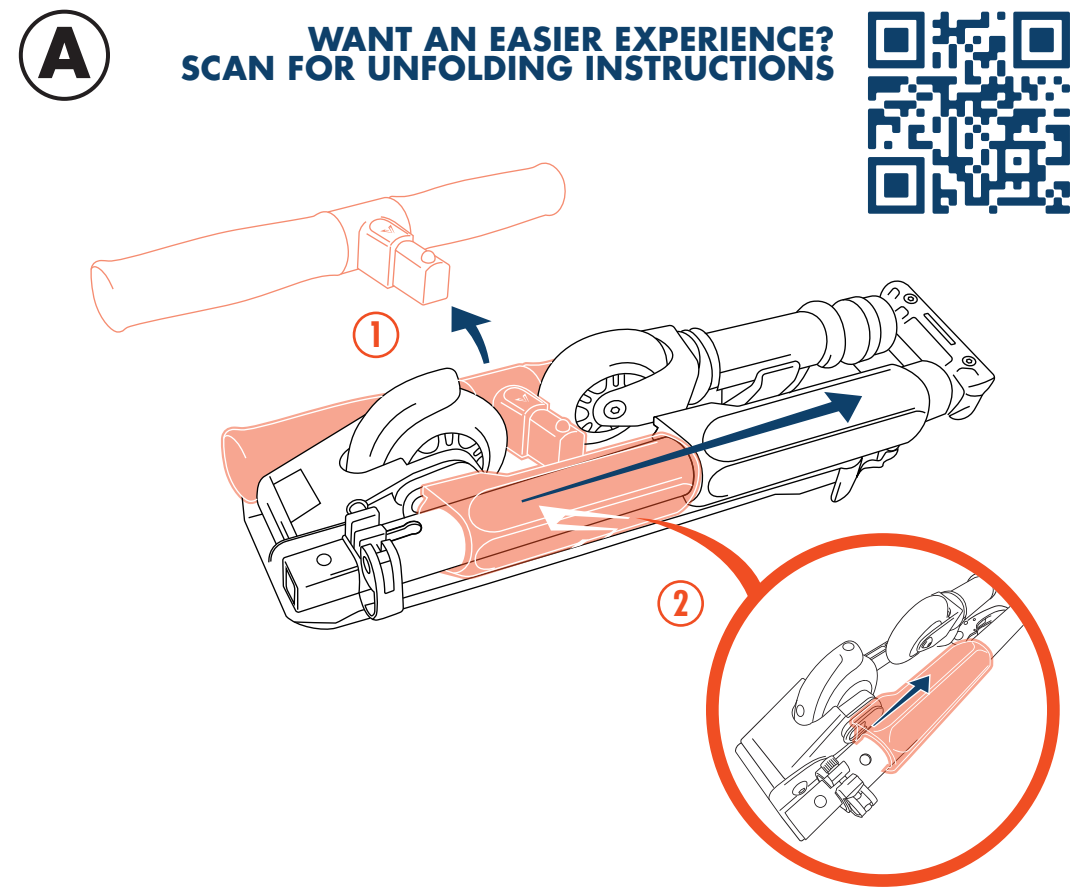
CONTENT:
 Unfolding Instructions
 Folding Instructions
 Quick Fold
 Usage & Operation
 Care & Maintenance
 Contact Information

Age 8+
 User's Max Weight 100 kg (220 lbs)
 CLASS A
 Conforms to: EN 14619:2019
 Product photos and illustrations on
 packaging may vary from actual product.

WARNING: Read the information supplied by the manufacturer. / Always wear safety equipment such as helmet, knee pads, hand/wrist protection and elbow pads, when riding your scooter and keep the helmet's chinstrap securely buckled. Always wear shoes. / Adults must assist children in the initial adjustment procedures to unfold the scooter, adjust the handlebar and steering height, and fold the scooter. / Keep fingers clear and away from moving parts to avoid pinching and entrapment when folding or unfolding the scooter. / Check and secure all fasteners before every ride. / Ride on a smooth, paved surface away from motor vehicles. / Avoid sharp bumps, drainage grates, and sudden surface changes. The scooter may suddenly stop. / Avoid streets and surfaces with water, sand, gravel, dirt, leaves, and other debris. Wet weather impairs traction, braking, and visibility. / Do not ride at night or in low visibility conditions. / Brake might get hot after use. Do not touch after braking. / Avoid excessive speed associated with downhill rides. / Obey all local traffic and scooter riding laws and regulations. / Watch out for pedestrians. / Do not modify or repair the product by yourself. Failure to use common sense and heed the above warnings presents and enhances risks of serious injury. Use at your own risk and with extreme caution. To prevent pinching and injury during folding/unfolding please follow the exact steps provided by the manufacturer in the manual.



UNFOLDING INSTRUCTIONS



USAGE & OPERATION

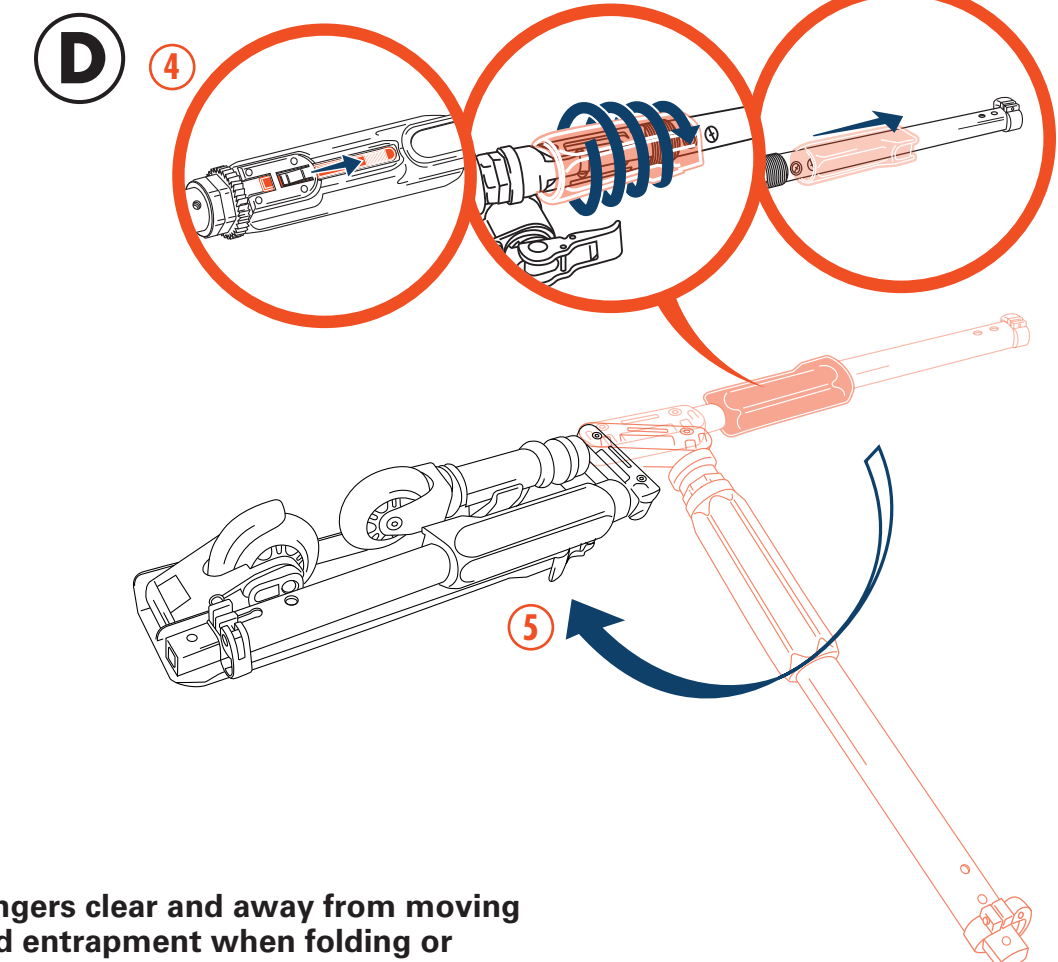
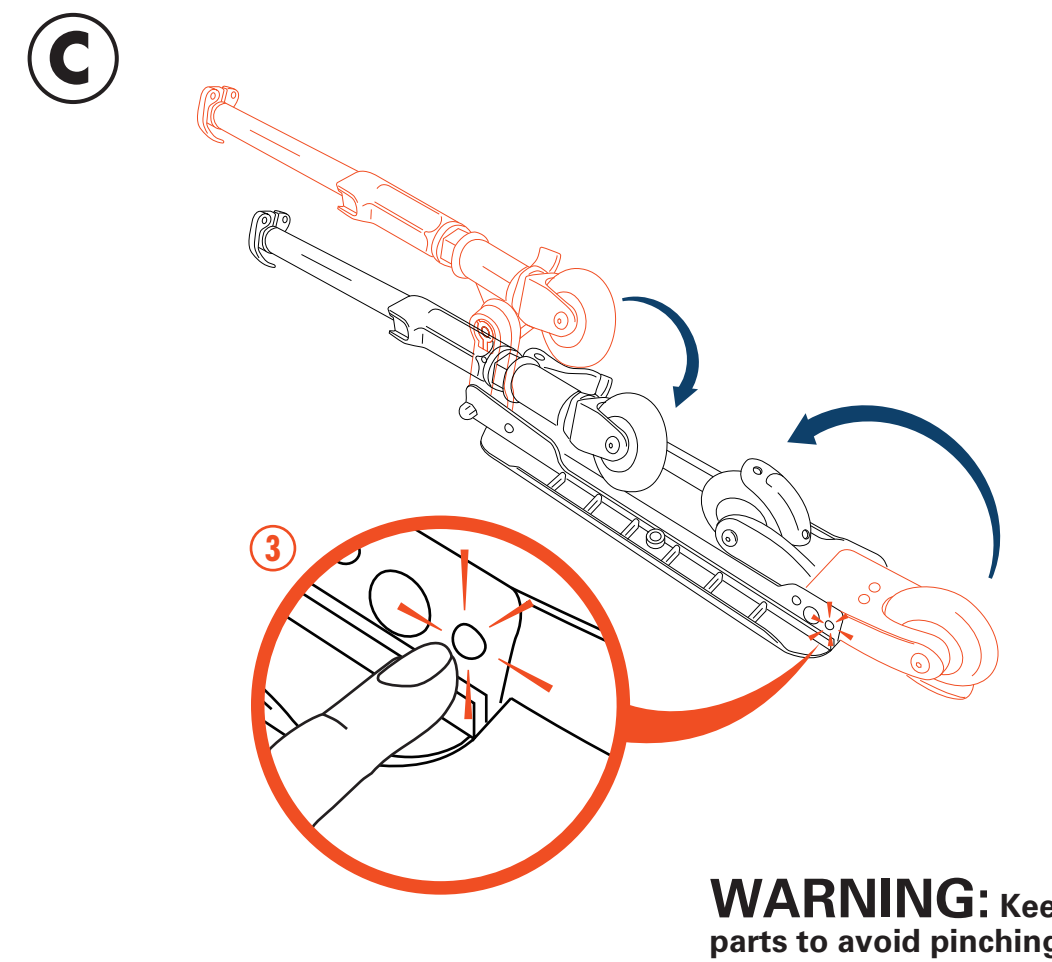
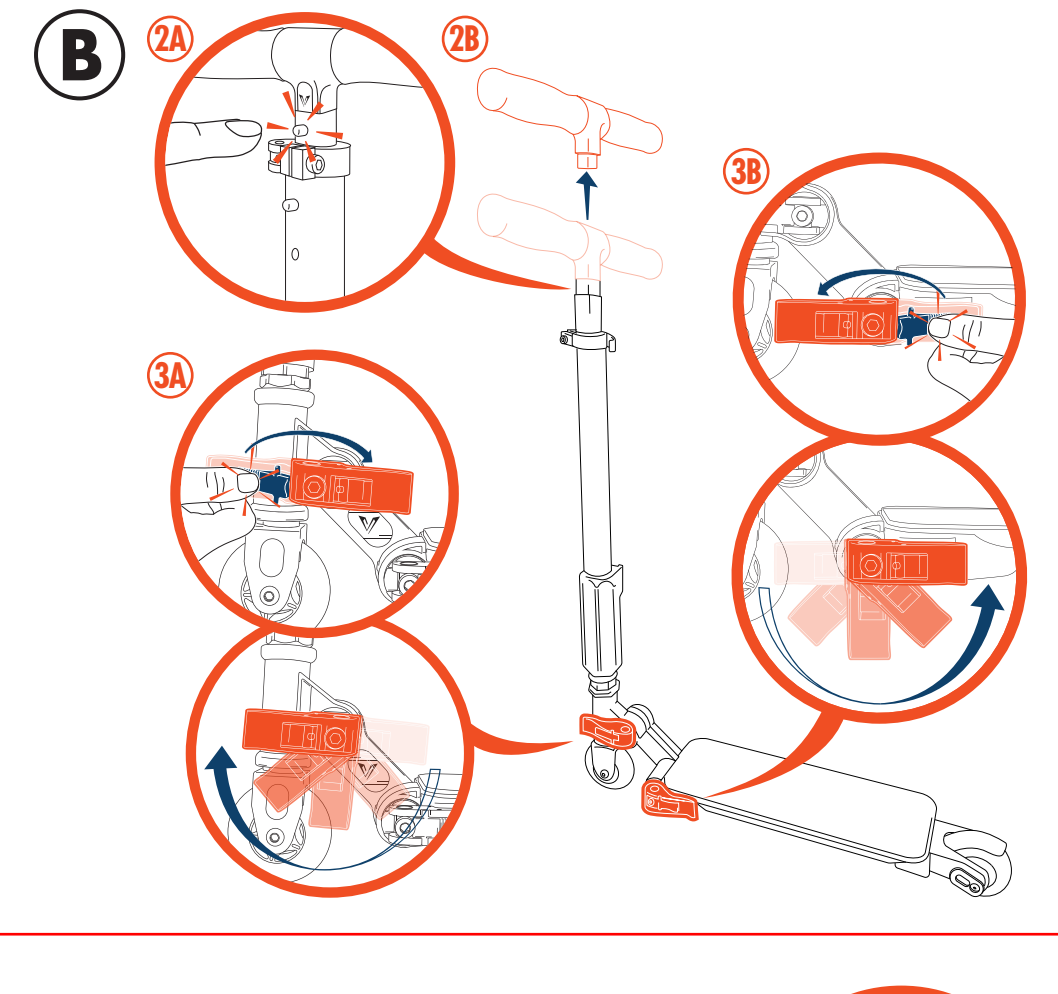
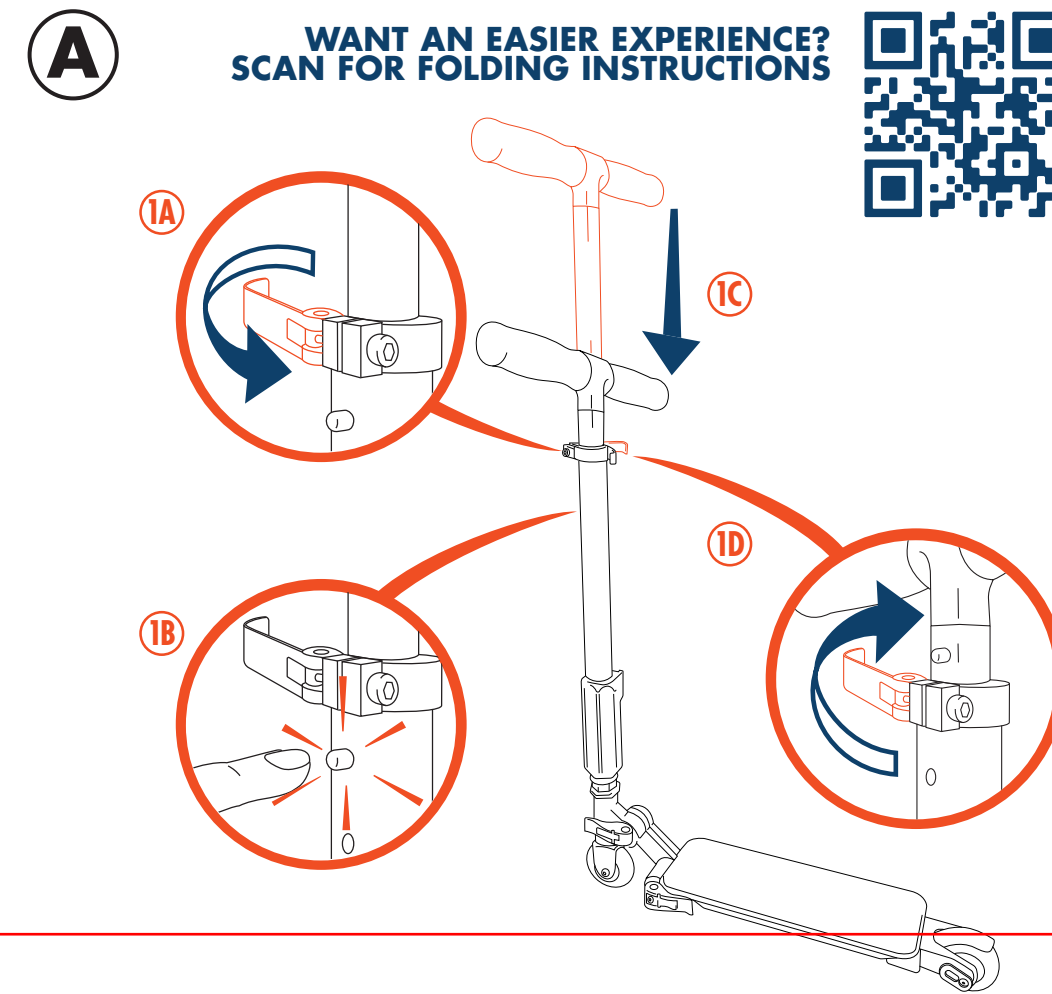
HOW TO RIDE
 Place one foot on the baseboard, push forward with the other foot. Steer with both hands on the handlebars. For enhanced cornering, lean slightly into the direction of the turn.

RIDING
 Avoid intense physical impact and/or severe vibration, as this can damage the joints.

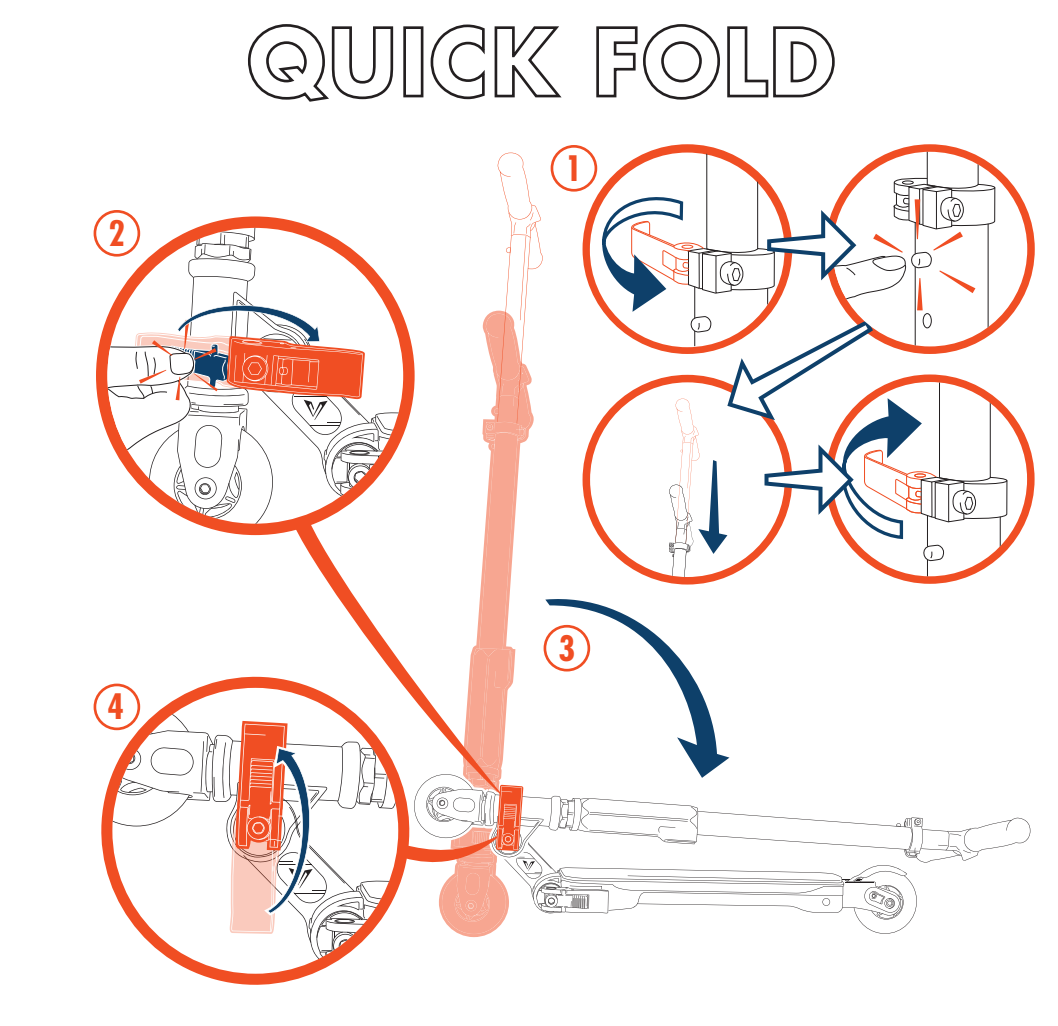
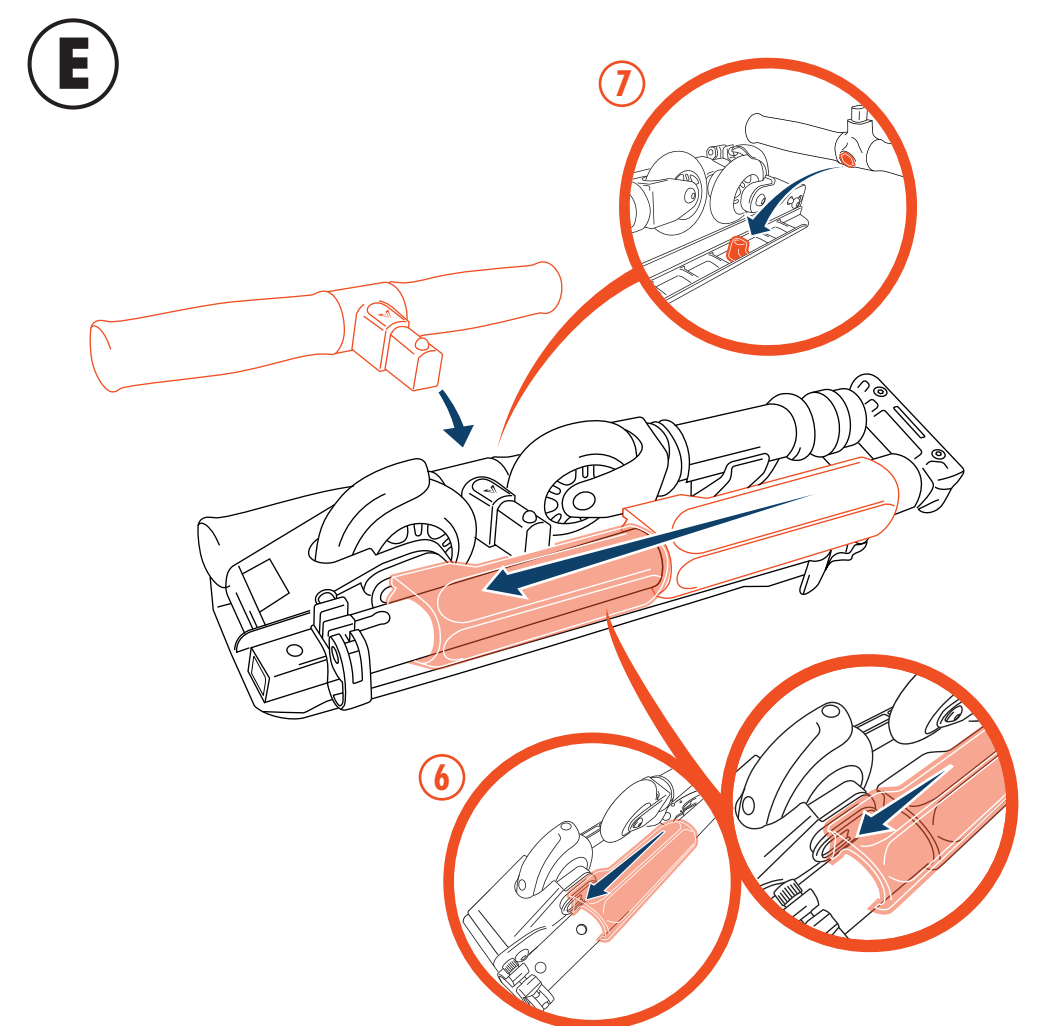
HOW TO STOP
 For controlled stops, apply the brake by stepping on the rear brake. Valor recommends that you practice applying the brake at various speeds and in an open area free from obstructions before riding your scooter around others.

MODIFICATION
 Do not disassemble or modify the product in any way, as this can lead to malfunction and may cause injury.

FOLDING INSTRUCTIONS



WARNING: Keep fingers clear and away from moving parts to avoid pinching and entrapment when folding or unfolding the scooter.



CARE & MAINTENANCE

CLEANING
 Carefully wipe all surfaces with a damp cloth, then dry with a dry cloth. Do not use water to clean the scooter, this may cause corrosion. Avoid the use of cleaning agents, especially near adhesive-backed stickers.

STORAGE
 Store your scooter in a cool dry place. Keep away from fire and excessive heat.

SERVICING
 Gently wipe the bearing and wheel clean using a clean cloth. Wheels can be replaced with 76mm diameter and recommend 85A hardness. Use the two hex keys simultaneously to loosen or tighten the axle. Self-locking fasteners may loosen over time and require readjustment. Adjust the tension by hand tightening the screw while the cam handle is in the closed position.

MADE IN CHINA
 O36400_0001_20132683_GEN_IS_R3(detach the T-Bar at first)

CONTACT INFORMATION

Spin Master logo & © Spin Master Ltd. All rights reserved. / Tous droits réservés. / Todos los derechos reservados.
 Spin Master Ltd., 225 King Street West, Toronto ON M5V 3M2 Canada
 Spin Master Inc. PMB #10053, 300 International Drive, Suite 100, Williamsville, NY 14221

Spin Master Australia Pty Ltd, Suite 101, Level 1, 18-24 Chandos Street, St Leonards, NSW 2065; ☎1800 316 982

Spin Master International B.V., Kingsfordweg 151, 1043 GR Amsterdam, NL.

Spin Master Toys UK Ltd, Boston House, Boston Drive, Bourne End, Buckinghamshire, SL8 5YS, UK

TM & © Spin Master Inc. All rights reserved. TM designates trademarks of Spin Master Inc. / Tous droits réservés. TM désigne les marques de commerce de Spin Master Inc. / Todos los derechos reservados. TM indica marcas comerciales de Spin Master Inc.

NORTH AMERICA - 1-800-622-8339
 customercare@spinmaster.com
 UK - 0800 206 1191, serviceuk@spinmaster.com
 IRELAND - 1800 992 249
 AUSTRALIA - 1800 316 982, customercare@spinmaster.com

WWW.SPINMASTER.COM

